

# Cala KNX M1-T, Cala KNX M2-T, Cala KNX M4-T Push Button with Temperature Sensor

## Technical specifications and installation instructions



**Cala KNX M1-T:**  
Item numbers  
70860 (white),  
70862 (black)

**Cala KNX M2-T:**  
Item numbers  
70870 (white),  
70872 (black)

**Cala KNX M4-T:**  
Item numbers  
70880 (white),  
70882 (black)



## 1. Description

The **Cala KNX M-T push button** has touch-sensitive buttons, with which functions in the KNX building bus system can be called, such as switch lights and devices, dim, activate drives, send values, scenarios. An LED is integrated into each touch button, the behaviour of which can be adjusted.

A temperature sensor is integrated into **Cala KNX M-T**. An external temperature reading can be received via the bus and processed with its own data to create a total temperature (mixed value).

Communication objects can be connected by AND and OR logic gates.

The device is supplemented with a frame of the switch series used in the building, and thus fits seamlessly into the interior fittings.

### Cala KNX M1-T functions:

- **1 Touch bus button**, can be configured as switch, selector switch, dimmer, blind (position and slats up/stop OR down/stop), shutters (up/down/stop), awning (in/out/stop), window (closed/open/stop), as 8 or 16-bit encoder or for scenario recall/storage

### Cala KNX M2-T functions:

- **2 Touch bus button**, can be configured as switch, selector switch, dimmer, for operating drives, as 8 or 16-bit encoder or for scenario recall/storage
- **Area function** when touching both push buttons. Can be configured as switch, selector switch, as 8 or 16 bit encoder or for scenario recall

### Cala KNX M4-T functions:

- **4 Touch bus button**, can be configured as switch, selector switch, dimmer, for operating drives, as 8 or 16-bit encoder or for scenario recall/storage
- **Area function** when touching three or more push buttons. Can be configured as switch, selector switch, as 8 or 16 bit encoder or for scenario recall

### Function of all models:

- One **LED** per touch area. On for object value = 1 / Off for object value = 0, On after pressing button for settable time or always off. Settable, as to whether LED flashes at block object value = 1
- **Temperature** measurements. **Mixed value** from own measured value and external values (proportion can be set by percentage)
- **2 AND and 2 OR logic gates** each with 4 inputs. All switching events as well as 8 logic inputs (in the form of communications objects) can be used as inputs for the logic gates. The output from each gate can be configured optionally as 1-bit or 2 x 8-bit

Configuration is made using the KNX software ETS 5. The **product file** can be downloaded from the ETS online catalogue and the Elsner Elektronik website on [www.elsner-elektronik.de](http://www.elsner-elektronik.de) in the "Service" menu.

### 1.0.1. Scope of delivery

- Push button in casing
- Base plate

*Additionally required (not included in the deliverables):*

- Junction box Ø 60 mm, 42 mm deep
- Frame (for insert 55 x 55 mm), compatible to the switch scheme used in the building

## 1.1. Technical data

Casing	Genuine glass, plastic
Colours	<ul style="list-style-type: none"> <li>• similar to RAL 9010 pure white</li> <li>• similar to RAL 9005 deep black</li> </ul>
Installation	Flush-mounted (wall installation in junction box Ø 60 mm, 42 mm deep or cavity wall socket for burr hole Ø 68 mm)
IP rating	IP 20

Dimensions	Housing approx. 55 x 55 (W x H, mm), Installation depth approx. 10 mm, Base plate approx. 71 x 71 (W x H, mm),
Total weight	approx. 50 g
Ambient temperature	Operating -25...+80°C, storage -30...+85°C
Ambient humidity	max. 95% RH, avoid condensation
Operating voltage	KNX bus voltage
Bus current	max. 15 mA
Data output	KNX +/- Bus plug-in terminal
BCU type	Own microcontroller
PEI type	0
Group addresses	max. 183
Allocations	max. 183
Communication objects	Cala KNX M1-T: 44 Cala KNX M2-T: 55 Cala KNX M4-T: 73
Temperature measurement range	-25...+80°C
Temperature resolution	0.1°C

The product is compliant with the provisions of EU Directives.

### 1.1.1. Accuracy of the measurement

Measurement variations from permanent sources of interference (see chapter *Installation position*) can be corrected in the ETS in order to ensure the specified accuracy of the sensor (offset).

When **measuring temperature**, the self-heating of the device is considered by the electronics. The heating is compensated by the software.

## 2. Installation and commissioning

### 2.1. Installation notes



Installation, testing, operational start-up and troubleshooting should only be performed by an electrician.



### CAUTION! Live voltage!

There are unprotected live components inside the device.

- National legal regulations are to be followed.
- Ensure that all lines to be assembled are free of voltage and take precautions against accidental switching on.
- Do not use the device if it is damaged.
- Take the device or system out of service and secure it against unintentional use, if it can be assumed, that risk-free operation is no longer guaranteed.

The device is only to be used for its intended purpose. Any improper modification or failure to follow the operating instructions voids any and all warranty and guarantee claims.

After unpacking the device, check it immediately for possible mechanical damage. If it has been damaged in transport, inform the supplier immediately.

The device may only be used as a fixed-site installation; that means only when assembled and after conclusion of all installation and operational start-up tasks and only in the surroundings designated for it.

Elsner Elektronik is not liable for any changes in norms and standards which may occur after publication of these operating instructions.

### 2.2. Installation location

The **Cala KNX M-T push button** is designed for wall installation in a connector socket (Ø 60 mm, 42 mm deep).

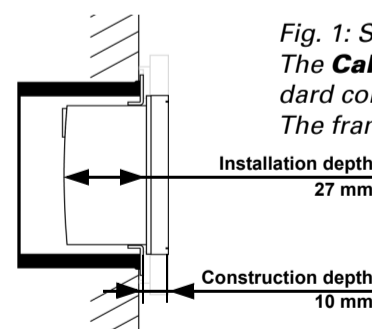


Fig. 1: Sectional drawing.

The **Cala KNX M-T push button** fits in a standard connector socket (Ø 60 mm, depth 42 mm).  
The frame is not included in the delivery!



**May be installed and operated in dry interior rooms only.**  
**Avoid condensation.**

When selecting an installation location, please ensure that the measurement results are affected as little as possible by external influences. Possible sources of interference include:

- Direct sunlight
- Drafts from windows and doors
- Draft from ducts which lead from other rooms or from the outside to the junction box in which the sensor is mounted
- Warming or cooling of the building structure on which the sensor is mounted, e.g. due to sunlight, heating or cold water pipes
- Connection lines and ducts which lead from warmer or colder areas to the sensor

Measurement variations from permanent sources of interference can be corrected in the ETS in order to ensure the specified accuracy of the sensor (offset).

## 2.3. Device structure

### 2.3.1. Casing

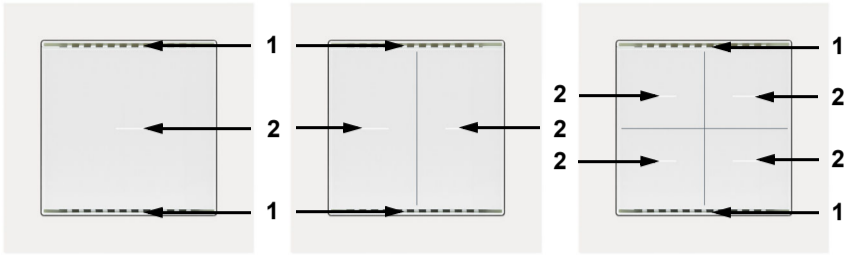


Fig. 2: Front

- 1 Ventilation slit (top and bottom)
- 2 Touch areas with LEDs

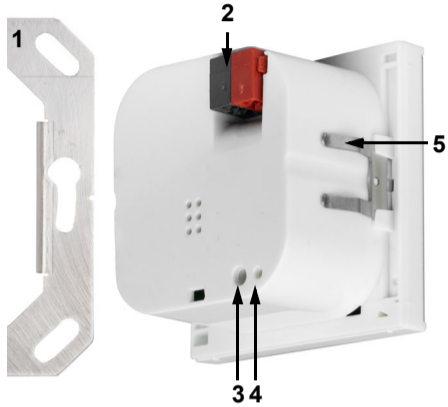


Fig. 3: Back

- 1 Base frame
- 2 KNX terminal BUS +/-
- 3 Programming button (recessed) for teaching the device
- 4 Programming LED (recessed)
- 5 Catches

## 2.4. Installation of the sensor

First install the windproof socket with feed line. Seal the inlet tubes as well, in order to prevent draughts.

Then screw the base plate to the socket and place the switch program frame. Connect the bus cable +/- to the plug (black-red).

Insert the device firmly onto the metal frame using the catches so that the device and the housing are fixed together. The device has to be inserted such that the bus terminal faces up (see Fig. 3). This is necessary for a correct temperature measurement and for Cala KNX M2-T and Cala KNX M4-T also for button allocation.

## 2.5. Notes on mounting and commissioning

Never expose the device to water (e.g. rain) or dust. This can damage the electronics. You must not exceed a relative humidity of 95%. Avoid condensation.

After the bus voltage has been applied, the device will enter an initialisation phase lasting a few seconds. During this phase no information can be received or sent via the bus.

## 3. Addressing of the device at the bus

The device is supplied with the bus address 15.15.255. You can program another address into the ETS by overwriting the 15.15.255 address or by teaching via the programming button.

## 4. Maintenance

Ventilation slits must not be dirty or covered. As a rule, it is sufficient to wipe the device with a soft, dry cloth as required.